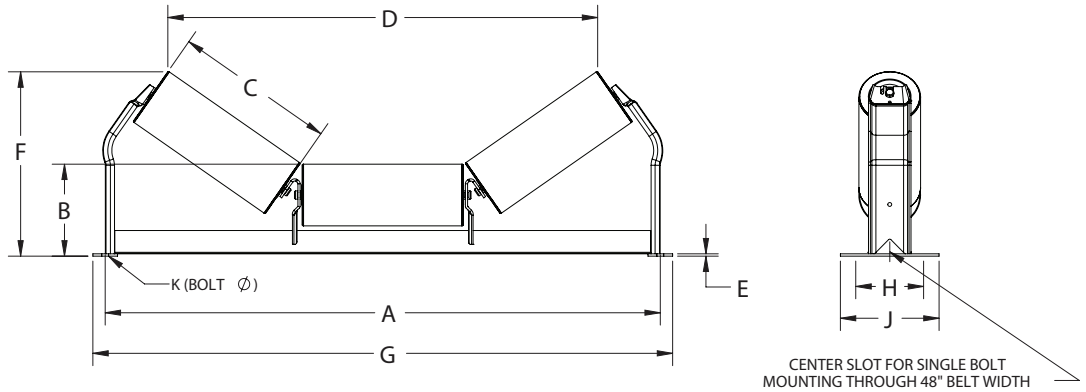


# CEMA B Idlers

## Troughing Idlers (Equal Length Rollers) – 4" & 5" Diameter



CEMA B

	PART NUMBER*		BW	A	B		C	D		E	F		G	H**	J	K	WT (#)			
	4"	5"			4"	5"		4"	5"		4"	5"					4"	5"	4"	5"
20°	B4-20E-14	B5-20E-14	14	23	6-15/16	7-7/16	6-1/16	18-15/16	18-9/16	3/16	9-1/8	9-9/16	25	6	8	1/2	25	30		
	B4-20E-16	B5-20E-16	16	25	6-15/16	7-7/16	6-1/16	18-15/16	18-9/16	3/16	9-1/8	9-5/8	27	6	8	1/2	25	30		
	B4-20E-18	B5-20E-18	18	27	6-15/16	7-7/16	7-1/16	21-3/4	21-7/16	3/16	9-7/16	9-7/8	29	6	8	1/2	27	33		
	B4-20E-20	B5-20E-20	20	29	6-15/16	7-7/16	7-11/16	23-13/16	23-1/2	3/16	9-7/16	9-15/16	31	6	8	1/2	29	35		
	B4-20E-24	B5-20E-24	24	33	6-15/16	7-7/16	9-1/16	27-1/2	27-3/16	3/16	10-1/8	10-9/16	35	6	8	1/2	32	39		
	B4-20E-30	B5-20E-30	30	39	6-15/16	7-7/16	11-1/16	33-5/16	32-15/16	3/16	10-13/16	11-5/16	41	6	8	1/2	40	49		
	B4-20E-36	B5-20E-36	36	45	6-15/16	7-7/16	13-1/16	39-1/16	38-11/16	3/16	11-1/2	12	47	6	8	1/2	46	56		
	B4-20E-42	B5-20E-42	42	51	7-7/16	7-15/16	15-1/16	44-13/16	44-7/16	5/16	12-11/16	13-3/16	53	7-1/2	9-1/2	5/8	61	72		
	B4-20E-48	B5-20E-48	48	57	7-7/16	7-15/16	17-1/16	50-9/16	50-3/16	5/16	13-3/8	13-7/8	59	7-1/2	9-1/2	5/8	67	80		
35°	B4-35E-14	B5-35E-14	14	23	6-15/16	7-7/16	6-1/16	16-15/16	16-3/8	3/16	10-1/2	10-7/8	25	6	8	1/2	26	31		
	B4-35E-16	B5-35E-16	16	25	6-15/16	7-7/16	6-1/16	16-15/16	16-3/8	3/16	10-1/2	10-7/8	27	6	8	1/2	26	31		
	B4-35E-18	B5-35E-18	18	27	6-15/16	7-7/16	7-1/16	19-5/8	19	3/16	11-1/16	11-7/16	29	6	8	1/2	28	34		
	B4-35E-20	B5-35E-20	20	29	6-15/16	7-7/16	7-11/16	21-13/16	21-5/16	3/16	11-1/8	11-9/16	31	6	8	1/2	30	36		
	B4-35E-24	B5-35E-24	24	33	6-15/16	7-7/16	9-1/16	24-7/8	24-5/16	3/16	12-3/16	12-5/8	35	6	8	1/2	33	41		
	B4-35E-30	B5-35E-30	30	39	6-15/16	7-7/16	11-1/16	30-3/16	29-9/16	3/16	13-3/8	13-13/16	41	6	8	1/2	42	50		
	B4-35E-36	B5-35E-36	36	45	6-15/16	7-7/16	13-1/16	35-7/16	34-7/8	3/16	16-9/16	14-15/16	47	6	8	1/2	47	57		
	B4-35E-42	B5-35E-42	42	51	7-7/16	7-15/16	15-1/16	40-11/16	40-1/8	5/16	16-3/16	16-9/16	53	7-1/2	9-1/2	5/8	62	74		
	B4-35E-48	B5-35E-48	48	57	7-7/16	7-15/16	17-1/16	46	45-3/8	5/16	17-5/16	17-3/4	59	7-1/2	9-1/2	5/8	69	82		
45°	<del>B4-45E-18</del>	<del>B5-45E-18</del>	<del>18</del>	<del>27</del>	<del>6-15/16</del>	<del>7-7/16</del>	<del>7-1/16</del>	<del>19-5/8</del>	<del>19</del>	<del>3/16</del>	<del>11-1/8</del>	<del>11-9/16</del>	<del>31</del>	<del>6</del>	<del>8</del>	<del>1/2</del>	<del>30</del>	<del>36</del>		
	B4-45E-24	B5-45E-24	24	33	6-15/16	7-7/16	9-1/16	23	22-1/4	3/16	13-5/16	13-5/8	35	6	8	1/2	34	41		
	B4-45E-30	B5-45E-30	30	39	6-15/16	7-7/16	11-1/16	27-13/16	27-1/8	3/16	14-3/4	15-1/8	41	6	8	1/2	42	51		
	B4-45E-36	B5-45E-36	36	45	6-15/16	7-7/16	13-1/16	32-5/8	31-15/16	3/16	16-3/16	16-1/2	47	6	8	1/2	48	58		
	B4-45E-42	B5-45E-42	42	51	7-7/16	7-15/16	15-1/16	37-1/2	36-3/4	5/16	18-1/8	18-7/16	53	7-1/2	9-1/2	5/8	63	75		
	B4-45E-48	B5-45E-48	48	57	7-7/16	7-15/16	17-1/16	42-5/16	41-9/16	5/16	19-1/2	19-7/8	59	7-1/2	9-1/2	5/8	70	83		

